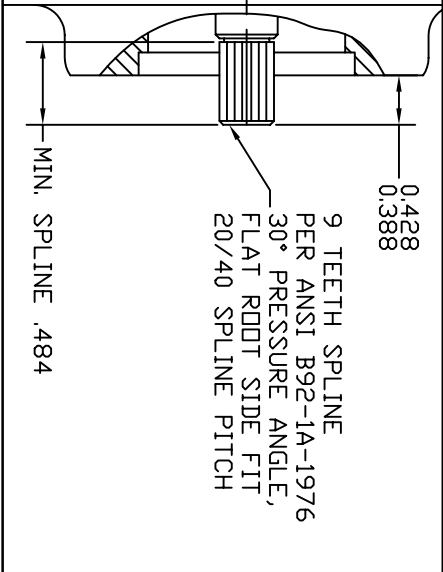


- NOTES:
- 3.0 HP, 19.8 AMP, 2850RPM @ 50HZ, 3450RPM @ 60HZ, 208-230VAC, 1PH, 1.0 SF, INSUL CLASS: B, TYPE KN, FRAME: H56 SPECIAL SHAFT, ENCL: TENV, MOUNTING F1, RIGID BASE;
 - SER. F. 1.00, FL EFF 70%, RATING 40C AMB-5 MIN;
 - ROTATION: CLOCKWISE DRIVE END.
 - MOMENTARY SWITCH;
 - PRESS AND HOLD: MOTOR ON.



REV	DESCRIPTION	DATE	APPROVED
B	ADD NAMEPLATE	7/2/03	GCS
A	GENERAL REVISION	1/6/03	GCS

UNLESS OTHERWISE SPECIFIED

ALL DIMENSIONS ARE IN INCHES UNLESS NOTED OTHERWISE

DECIMALS: FRACTIONAL

TOLERANCES: ANGULAR

BREAK ALL EDGES ALL HOLES CHAMFERED .01x45° THIRD ANGLE PROJECTION

THIS DRAWING AND THE INFORMATION ON IT ARE THE PROPERTY OF HALLMARK INDUSTRIES, INC. AND IS NOT TO BE USED OR REPRODUCED WITHOUT WRITTEN PERMISSION FROM ADMINISTRATION

HALLMARK INDUSTRIES, INC.
733 BROOKLINE DRIVE, SHAWANEE, IL 60154 PHONE: (815) 282-8021 FAX: (815) 282-8888

TITLE: AC MOTOR, 56H, SPLINE SHAFT
3HP, 208-230VAC/50/60HZ/1PH
MA02-10124

DRAWN: T. ZHUN
DATE: 1/04/2002
CHECKED: [Signature]

SCALE: 1:2
SHEET: 1 OF 1

SECTION A-A SCALE 1:1